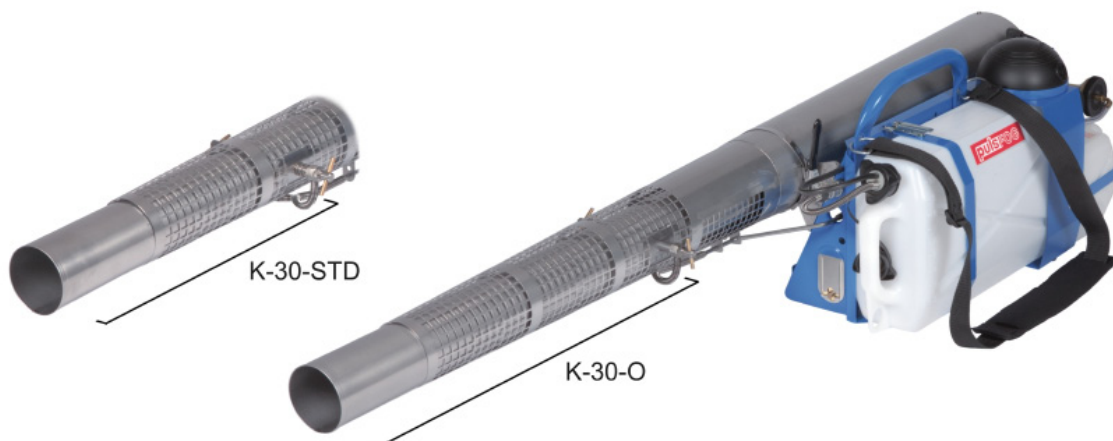


PRODUCT BULLETIN

Subject to technical changes 11/2010

pulsFOG®



K-30-STD¹⁾ K-30-O²⁾

PORTABLE THERMAL FOGGER

¹⁾ Standard-units are designed to fog water-based, non-flammable fogging solutions and suspensions.

²⁾ O-units are designed to fog inflammable and non-flammable fogging solutions but not suspensions.

Empty weight	13,5 kg
Size (length x breadth x height)	149 x 36 x 35 cm
Capacity of solution tank	9 litres
Capacity of fuel tank.....	2 litres
Cubic capacity of engine.....	2000 cm ³
Max. performance of engine	75 kW (101,6 hp, 64.400 kcal/h)
Max. fuel consumption	7,6 l/h
Automatic ignition	Electronic ignition coil fed by 4 x dry batteries = 6V
Starting device	Manual start
Flow rate.....	30 – 120 l/h (according to nozzle size used)
Standard flow rate.....	60 l/h
Droplet size spectrum (depending on oil viscosity and nozzle size used)	< 25 µm (oil) < 60 µm (oil/water) < 100 µm (water)

FOGGING TECHNIQUE AND APPLICATION

Thermal fogging is the generation of ultra-fine droplets in a range of 1-50 µm using thermo-pneumatic energy. Liquid substances are vaporized in the unit and form ultra-fine aerosols by condensing on contact with cool ambient air. Thermal fogging is used for any pest control task where active substances should be uniformly distributed even in inaccessible places, without leaving undesirable residues.

The fogging technique is the solution for treating large areas and spaces with a minimum quantity of pesticide solution, less operational work and with little harm to the environment (less residues, no penetration into the ground), e.g. in the field of public health, stock protection, plant protection, disinfection, decontamination, deodorization and cinema effects.